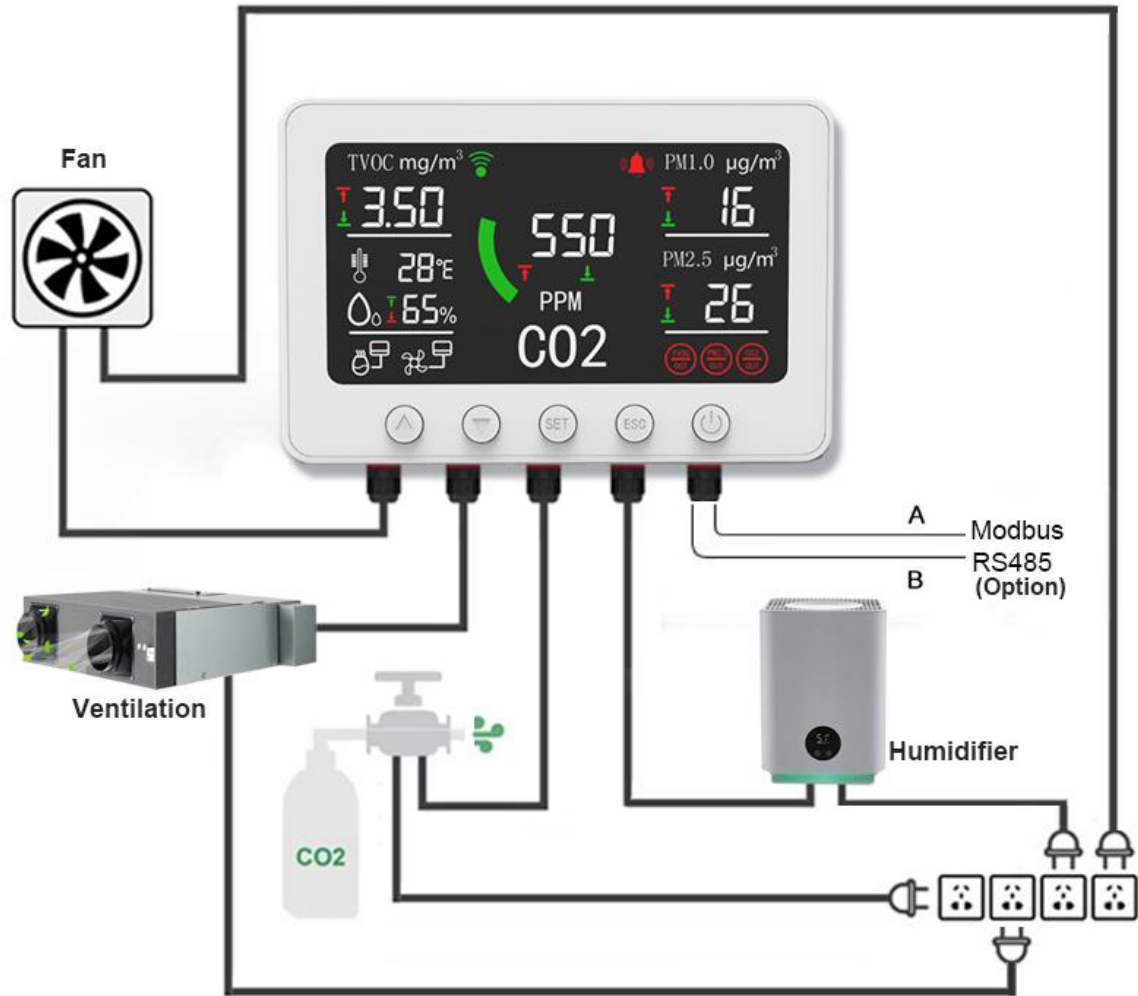


PT02 RS485/Relays Wiring Instructions

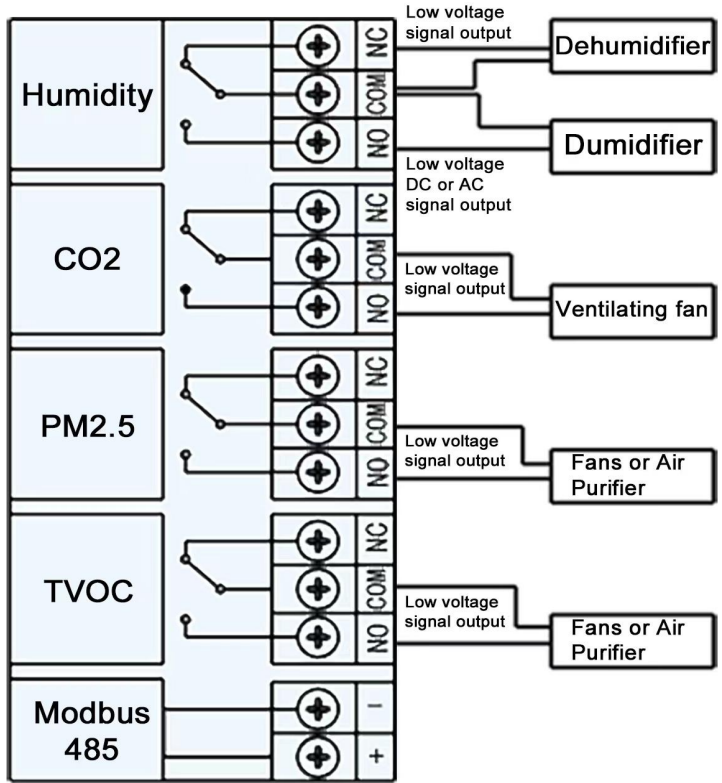
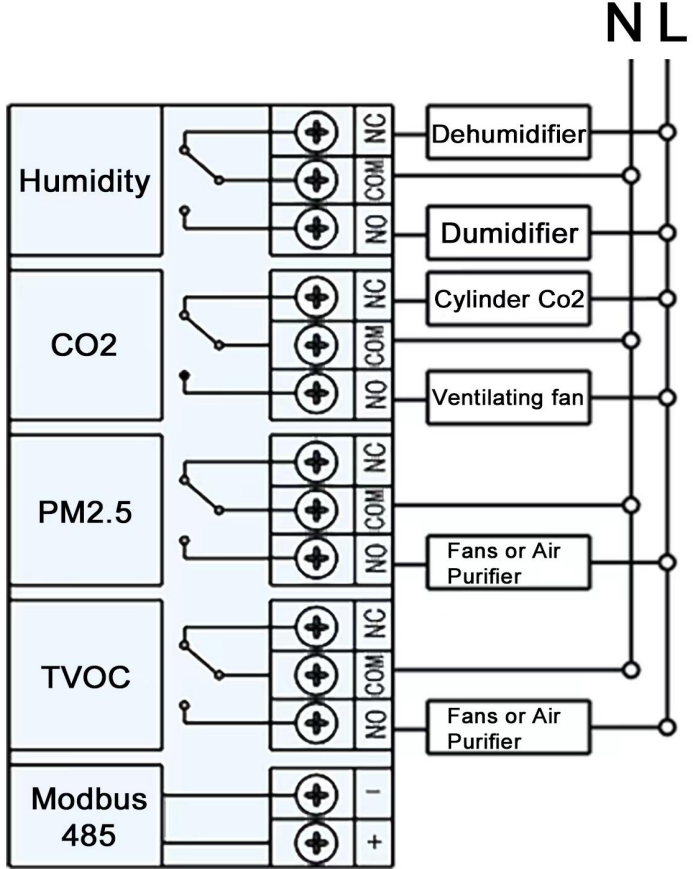
Relays/RS485 Signal Output & Controller



485		TVOC			PM2.5			CO2			Humidity			DC12V 2A	
+	-	NO	COM	NC	NO	COM	NC	NO	COM	NC	NO	COM	NC	⊖	⊕



AC85v-240v 50Hz-60Hz 5A



Always Be Careful to Wire Electricity Lines

